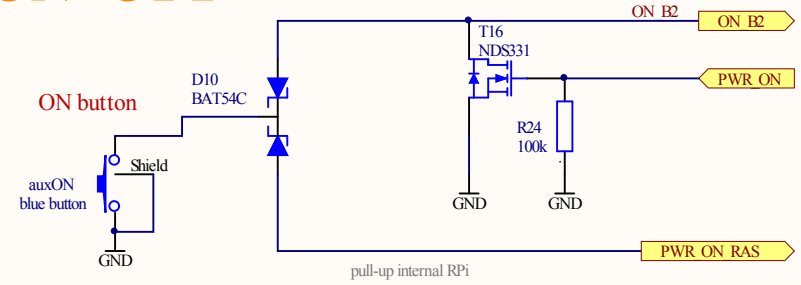
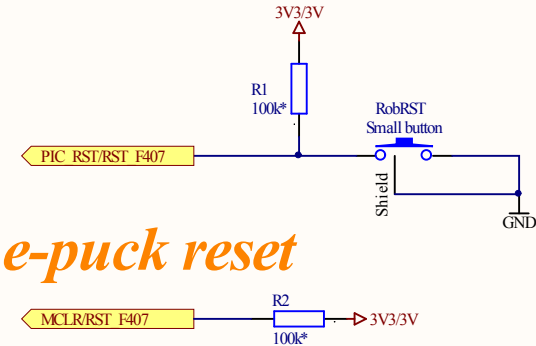


ON-OFF



with SW4 rPi get powerer and must set PWR_ON rapidly. e.g with predefined pull up when button kept pushed 2s, RPi turn off important things and set to 0 PWR_ON



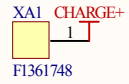
e-puck reset

Title			5V boost		
Size: A4	Number:	Revision: 3.0			
Date:	Time:	Sheet 3 of			
File:					

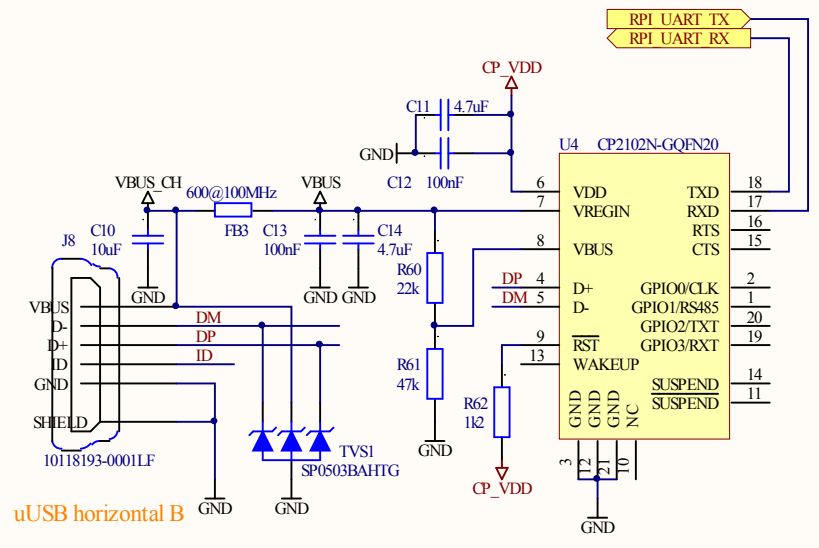
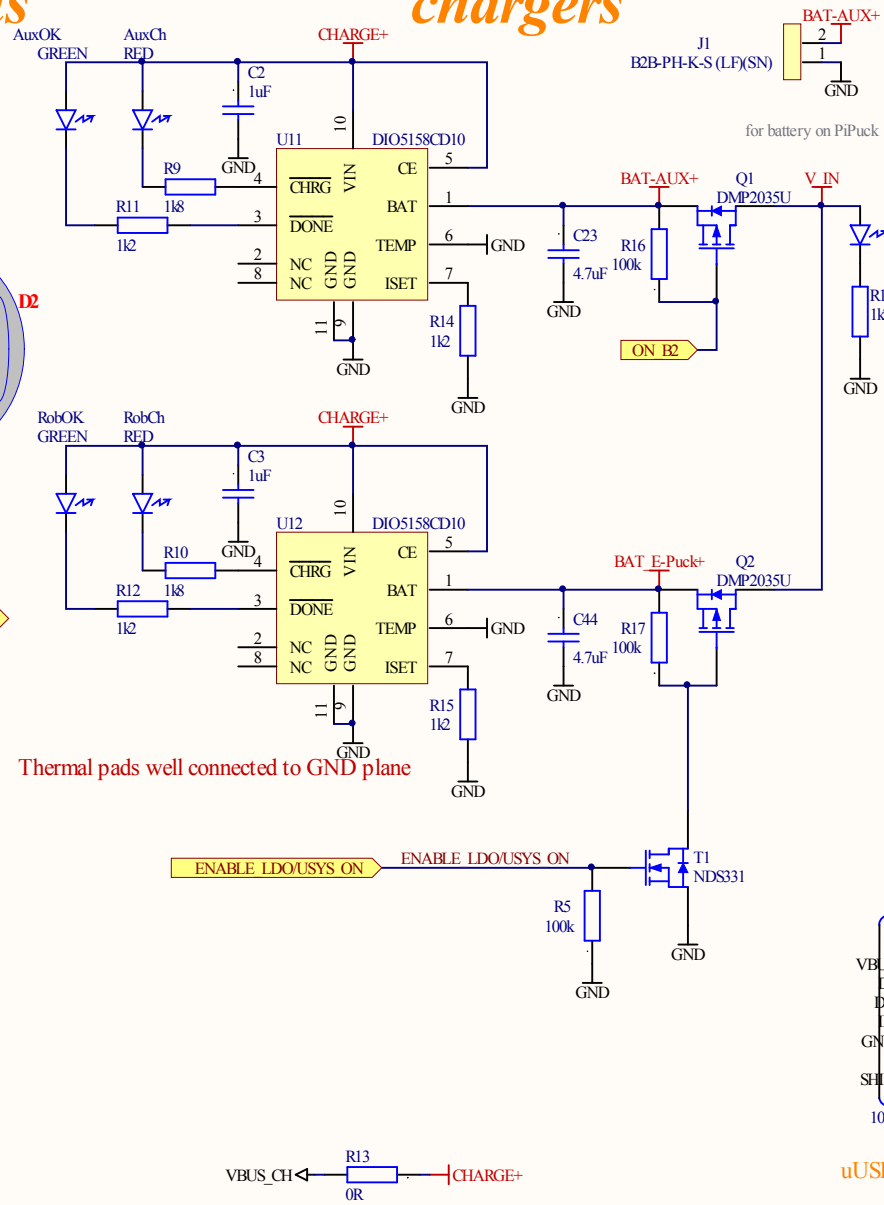
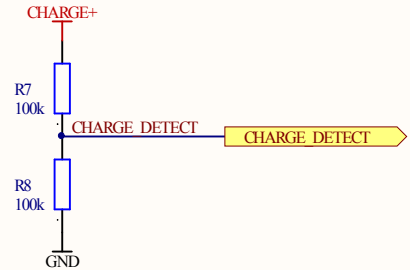
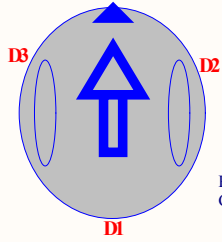
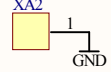
charger contacts

chargers

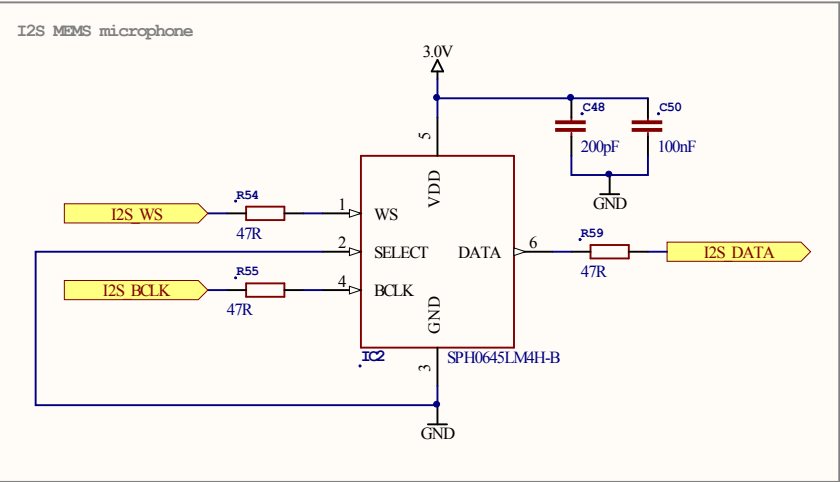
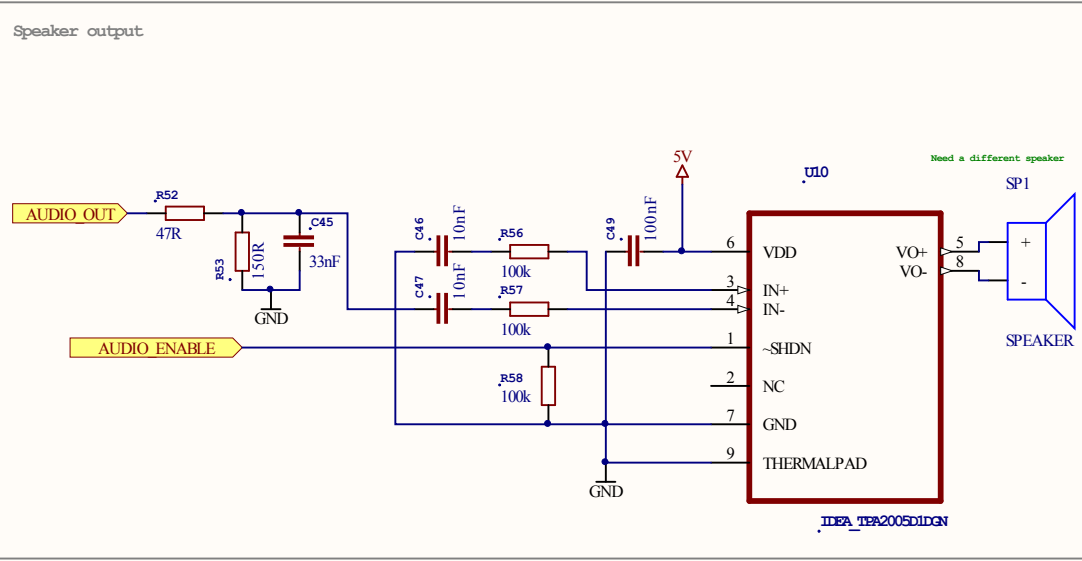
top front



bot front



Title charger		
Size: A4	Number:	Revision: 3.0
Date:	Time:	Sheet 2 of
File:		



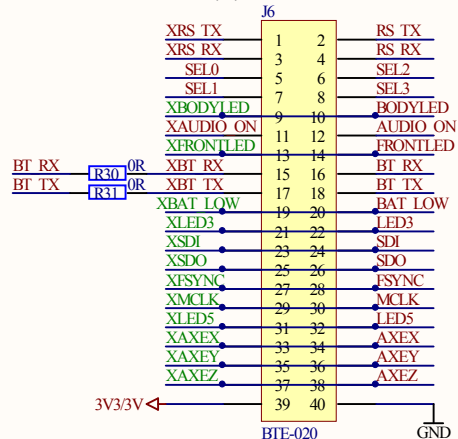
Title			audio
Size	Number	Revision	
A4		3.0	
Date:	28/03/2019	Sheet	7 of 7
File:	F:\lavoro\Audio.SchDoc	Drawn By:	

E-puck connectors

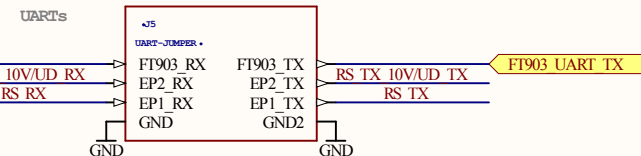
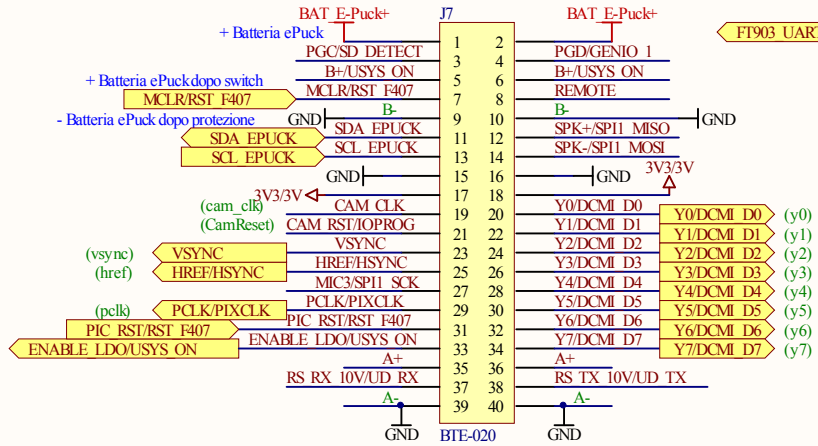
E-puck Connectors

PART: Samtec BTE-020-02-1-D-A (x2)

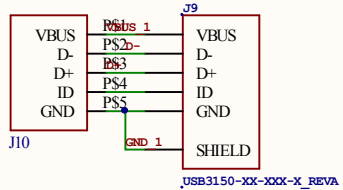
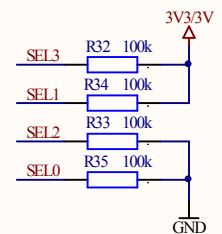
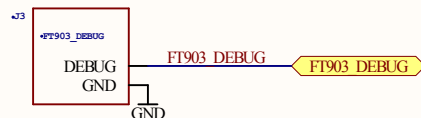
Jumper connectors



Extension

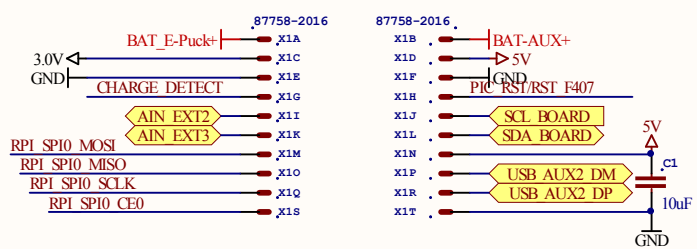


FT903 Program/Debug

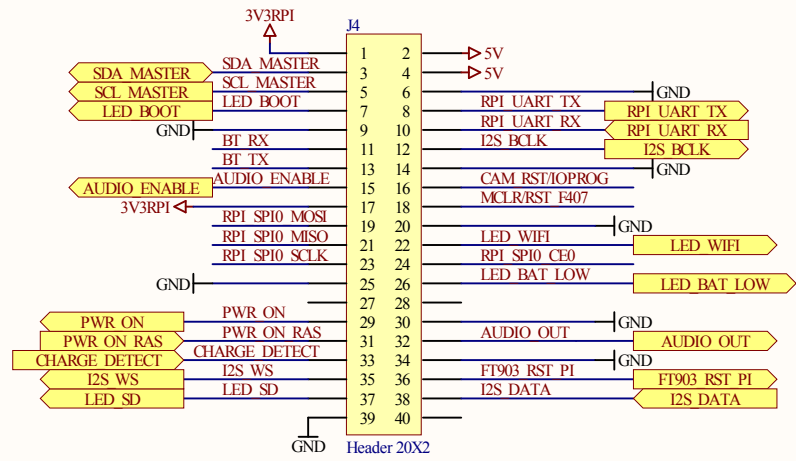


fix selector pins on 10 : 0x1010

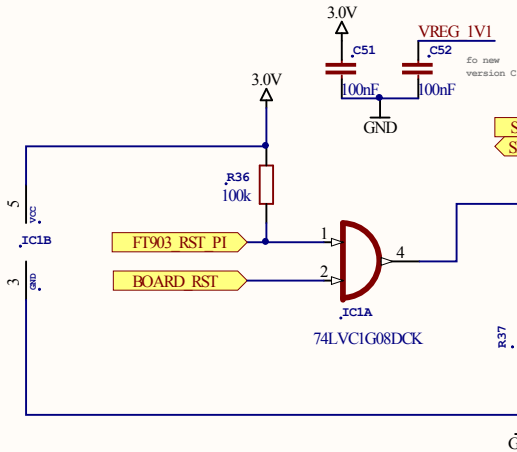
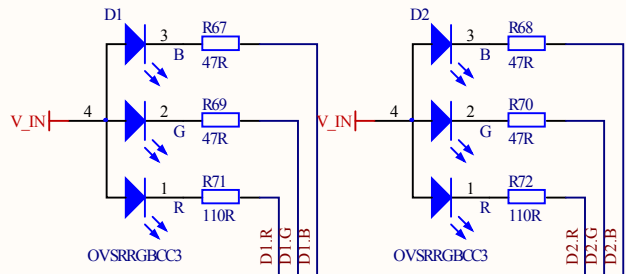
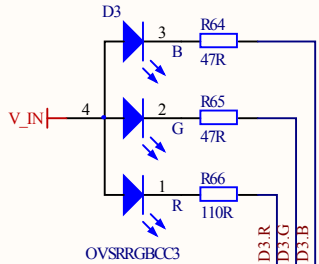
Expansion Connector



Raspberry Pi 2 B

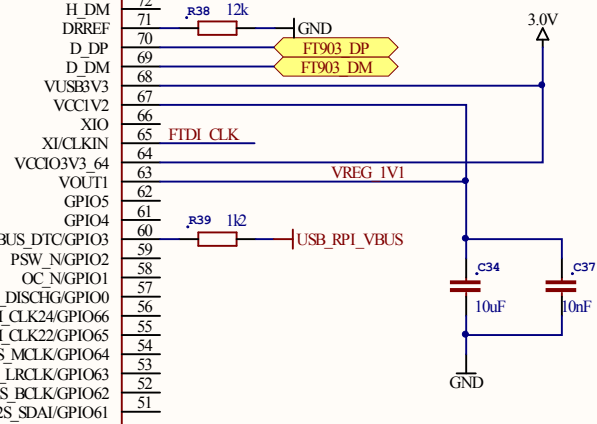
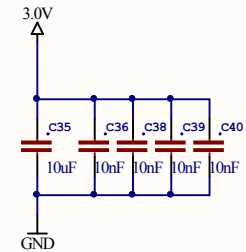
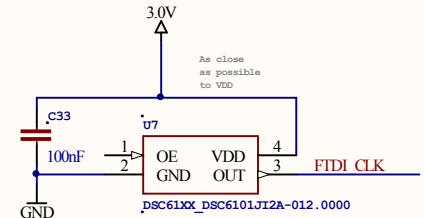


Title		
connectors		
Size	Number	Revision
A4		3.0
Date:	28/03/2019	Sheet 1 of 7
File:	F:\lavoro\Connectors.SchDoc	Drawn By:

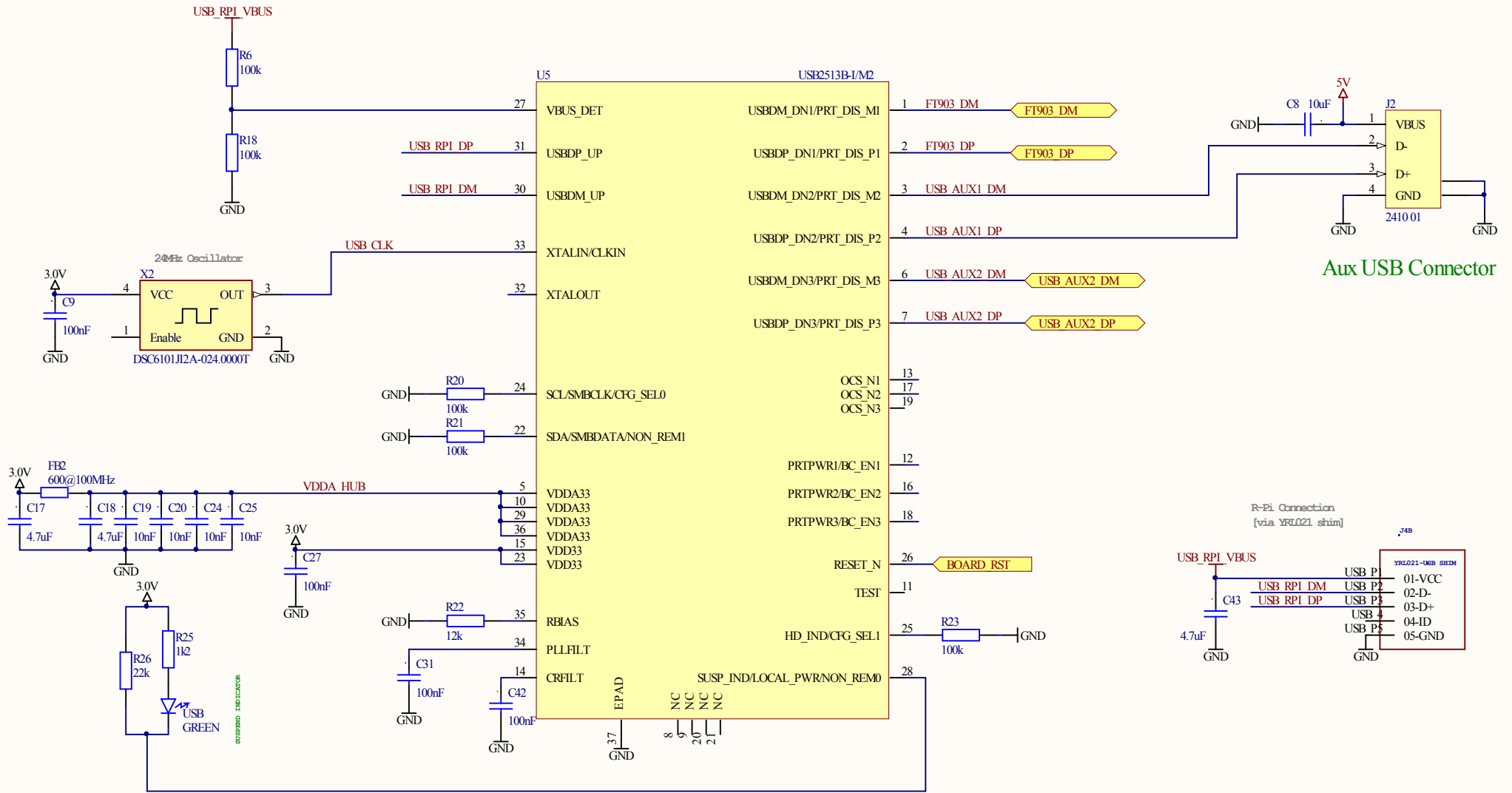


1	Y0/DCMI D0	1	CAM_D0/GPIO17	100	Y1/DCMI D1
2		2	GPIO18	99	Y2/DCMI D2
3		3	SD_CLK/GPIO19	98	Y3/DCMI D3
4		4	SD_CMD/GPIO20	97	Y4/DCMI D4
5		5	SD_DATA3/GPIO21	96	
6		6	SD_DATA2/GPIO22	95	DAC_REFP
7		7	SD_DATA1/GPIO23	94	VCC3V3A
8		8	SD_DATA0/GPIO24	93	3.0V
9		9	SD_CD/GPIO25	92	GND
10		10	SD_WP/GPIO26	91	Y5/DCMI D5
11		11	SPIM_CLK/GPIO27	90	Y6/DCMI D6
12		12	SPIM_SS0/GPIO28	89	Y7/DCMI D7
13	DI.G	13	SPIM_MOSI/GPIO29	88	HREF/HSYNC
14		14	SPIM_MISO/GPIO30	87	VSYNC
15		15	SPIM_IO2/GPIO31	86	PCLK/PIXCLK
16		16	SPIM_IO3/GPIO32	85	
17		17	SPIM_SS1/GPIO33	84	
18		18	SPIM_SS2/GPIO34	83	
19		19	SPIM_SS3/GPIO35	82	
20		20	SPISO_CLK/GPIO36	81	
21		21	SPISO_SS/GPIO37	80	
22		22	SPISO_MOSI/GPIO38	79	
23		23	SPISO_MISO/GPIO39	78	GND
24		24	SPIS1_CLK/GPIO40	77	
25		25	SPIS1_SS/GPIO41	76	GND
26		26	SPIS1_MOSI/GPIO42	75	
27		27	SPIS1_MISO/GPIO43	74	GND
28		28	I2C0_SCL/GPIO44	73	
29	D1.B	29	I2C0_SDA/GPIO45	72	
30	SCL BOARD	30	I2C1_SCL/GPIO46	71	R38 12k
31	SDA BOARD	31	I2C1_SDA/GPIO47	70	GND
32	VREG 1V1	32	FSOURCE	69	FT903 DP
33		33	VPP	68	FT903 DM
34		34	RESETN	67	
35		35	STESTRESTIN	66	
36		36	DEBUG	65	FTDI CLK
37		37	UART0_TXD/GPIO48	64	VCCIO3V3
38		38	UART0_RXD/GPIO49	63	VOUT1
39		39	UART0_RTS/GPIO50	62	GPIO5
40		40	UART0_CTS/GPIO51	61	GPIO4
41	D3.R	41	UART0_DTR/UART1_TXD/PWM4/GPIO52	60	R39 1k2
42	D3.G	42	UART0_DSRR/UART1_RXD/PWM5/GPIO53	59	VBUS_DTC/GPIO3
43	D3.B	43	UART0_DCD/UART1_RTS/PWM6/GPIO54	58	PSW_N/GPIO2
44	D1.R	44	UART0_RI/UART1_CTS/PWM7/GPIO55	57	OC_N/GPIO1
45		45	GND	56	VBUS_DISCHG/GPIO0
46		46	VCCIO3V3	55	I2SM_CLK24/GPIO66
47	D2.R	47	PWM0/GPIO56	54	I2SM_CLK22/GPIO65
48	D2.G	48	PWM1/GPIO57	53	I2S_MCLK/GPIO64
49	D2.B	49	PWM2/GPIO58	52	I2S_LRCLK/GPIO63
50		50	I2S_SDAO/GPIO60	51	I2S_BCLK/GPIO62
					I2S_SDAI/GPIO61

FT903-L version C



Title		
FT903		
Size	Number	Revision
A4		3.0
Date:	28/03/2019	Sheet 5 of
File:	F:\lavoro\FT903.SchDoc	Drawn By:



Title		
USB HUB		
Size	Number	Revision
A4		3.0
Date:	28/03/2019	Sheet 4 of
File:	F:\avoro\USB HUB.SchDoc	Drawn By: